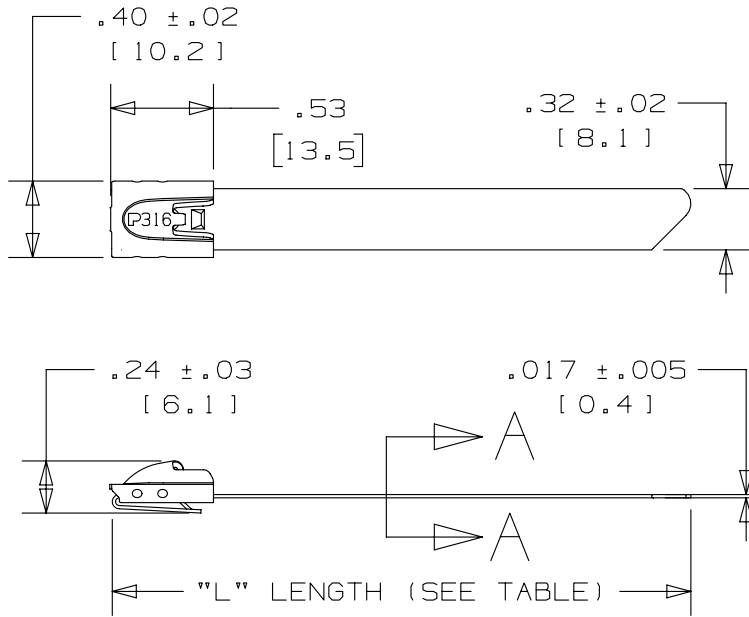


THIS COPY IS PROVIDED ON A RESTRICTED BASIS AND IS NOT TO BE USED IN ANY WAY DETRIMENTAL TO THE INTERESTS OF PANDUIT CORP.



PANDUIT PART NUMBER	COLOR	PACKAGE QUANTITY	MAXIMUM BUNDLE DIAMETER	"L" LENGTH ±3.0
MLTFC2H-LP316RD	RED	50	2.0" (51)	7.9" (201)
MLTFC4H-LP316RD	RED	50	4.0" (102)	14.3" (362)
MLTFC6H-LP316RD	RED	50	6.0" (152)	20.5" (521)
MLTFC2H-LP316YL	YELLOW	50	2.0" (51)	7.9" (201)
MLTFC4H-LP316YL	YELLOW	50	4.0" (102)	14.3" (362)
MLTFC6H-LP316YL	YELLOW	50	6.0" (152)	20.5" (521)
MLTFC2H-LP316GR	GREEN	50	2.0" (51)	7.9" (201)
MLTFC4H-LP316GR	GREEN	50	4.0" (102)	14.3" (362)
MLTFC6H-LP316GR	GREEN	50	6.0" (152)	20.5" (521)
MLTFC2H-LP316BU	BLUE	50	2.0" (51)	7.9" (201)
MLTFC4H-LP316BU	BLUE	50	4.0" (102)	14.3" (362)
MLTFC6H-LP316BU	BLUE	50	6.0" (152)	20.5" (521)
MLTFC2H-LP316WH	WHITE	50	2.0" (51)	7.9" (201)
MLTFC4H-LP316WH	WHITE	50	4.0" (102)	14.3" (362)
MLTFC6H-LP316WH	WHITE	50	6.0" (152)	20.5" (521)

- NOTES:
1. APPLICATION TOOLS - HTMT, GS4MT, PPTMT, ST2MT
 2. MINIMUM LOOP TENSILE STRENGTH - 250 LBS (1112 NEWTONS) WHEN TESTED ON 1.5" MANDREL
 3. BRACKETS [] DENOTE DIMENSIONS IN MILLIMETERS, AND ARE SHOWN FOR REFERENCE ONLY
 4. BASE MATERIAL - 316 STAINLESS STEEL
COATING MATERIAL - POLYESTER
COATING THICKNESS - .002"-.005" (.05-.13) THICK

FULLY ROUNDED EDGES ALONG STRAP BODY

SECTION A - A
SCALE 4:1

REV	DATE	BY	CHK	APR	DESCRIPTION	ECN
02A	6/12	JAMB	MIM	RGRO	UPDATE DRAWING TO NEW GLOBAL PANDUIT TITLE BLOCK WITH PANDUIT LOGO NOTE #1- REMOVED ST3MT APPLICATION TOOL: TOOL IS OBSOLETE	SSECN01057
01A	2/12	MIM	RGRO	---	NOTE #3 METRIC DIMENSIONS NOTED AS BEING SHOWN FOR REFERENCE ONLY	-----
00A	8/08	MIM	ROL	---	DRAWING RELEASED	-----

TITLE				
METAL LOCKING TIES COATED HEAVY SERIES				
CUSTOMER DRAWING				
ITEM REVISION NAME		N41659BS/02		
DATASET FILE NAME		N41659BS_DC/02A		
UNLESS OTHERWISE SPECIFIED, DIMENSIONAL TOLERANCES ARE: IN [mm]				MATERIAL:
.x ± .1 [2.54] .xxx ± .005 [0.127]				SEE NOTES
.xx ± .01 [0.25] ANGLES ± 5°				
				DRAWING NUMBER:
				N41659BS_DC
DRAWN BY	DATE	CHK	SCALE	SIZE
MIM	08/20/08	SKB	NONE	A